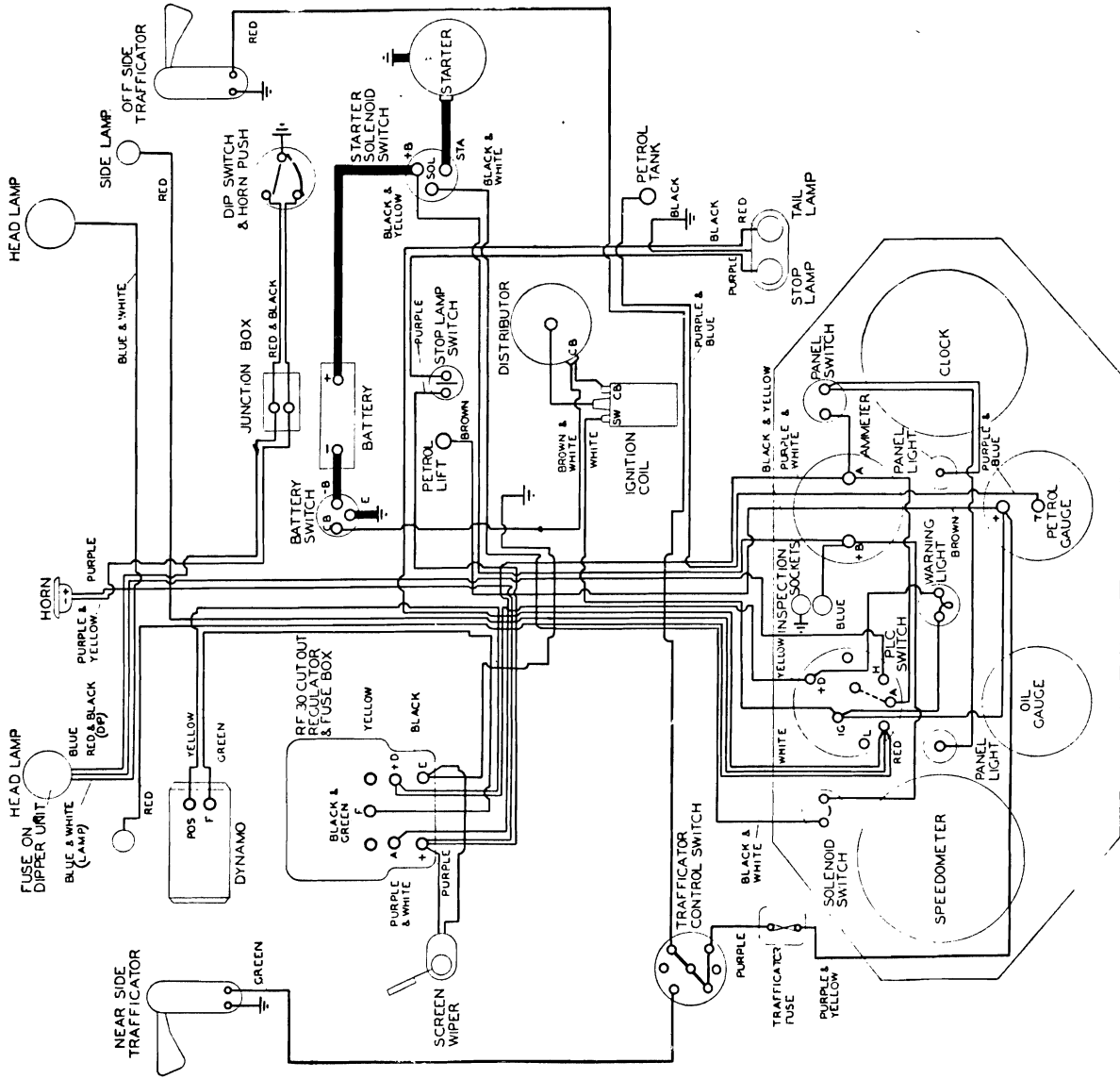


Date of issue: March, 1935

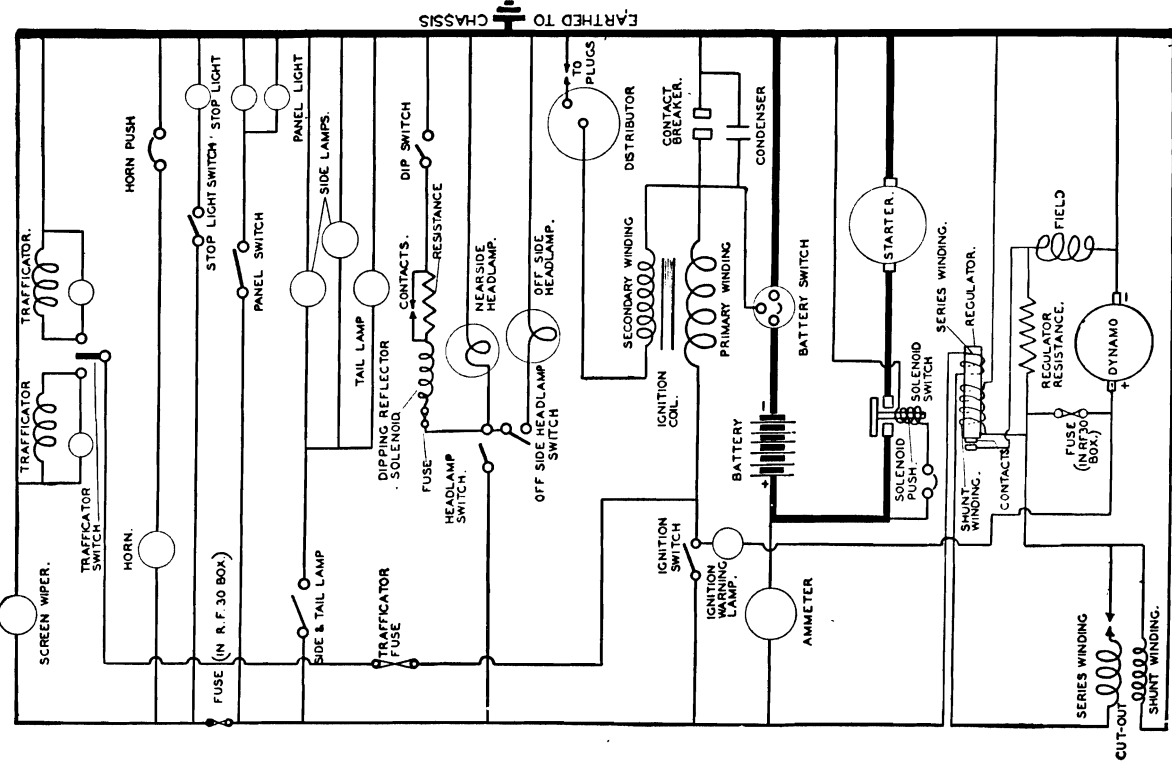
WIRING DIAGRAM

Cables are braided together in a protective sheathing. Colours indicate coloured sleeves on ends of leads.



Data for Lucas Equipment		Particulars of Bulbs	
Dynamo	... C45H	Headlamps	... B.A.S. No. 4S
Starter	... M41NA	Side, stop, tail and panel lamps	... B.A.S. No. 10S
Switch	... PLC	Ignition warning lamp	... No. 252 M.E.S.
Cut-out, regulator and fuse box	... RF30	Trafficators	... No. TT26F
Coil	... Q12		
Distributor	... DK4A (Twelve-Four) ... DK6A (Fifteen-Six)		

TECHNICAL DIAGRAM



Fuses	
Dynamo main	... 35 amperes
Auxiliary accessories	... 25 "
Dipper unit	... 6 "
Trafficators	... 25 "