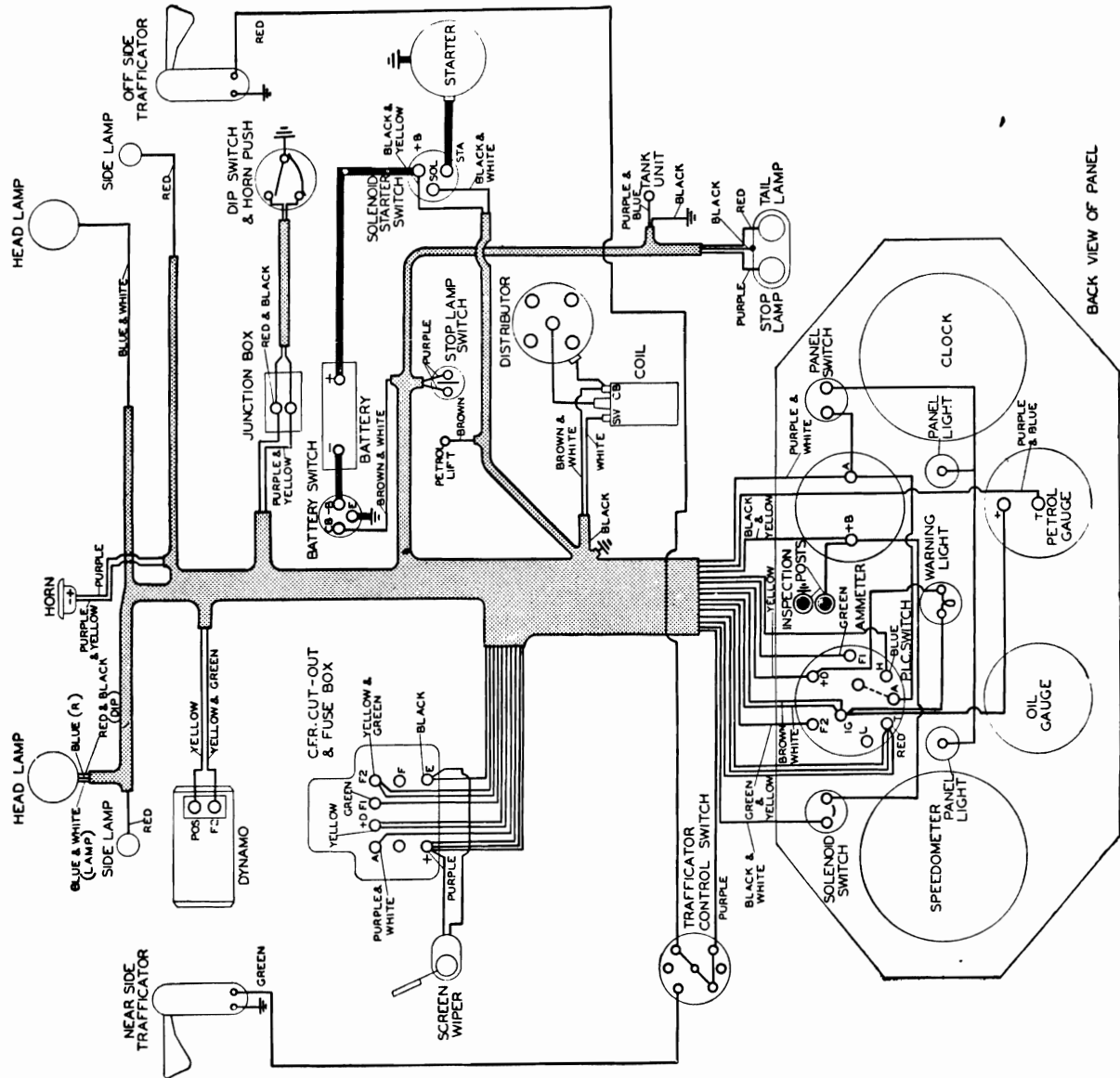


Date of issue: April, 1934

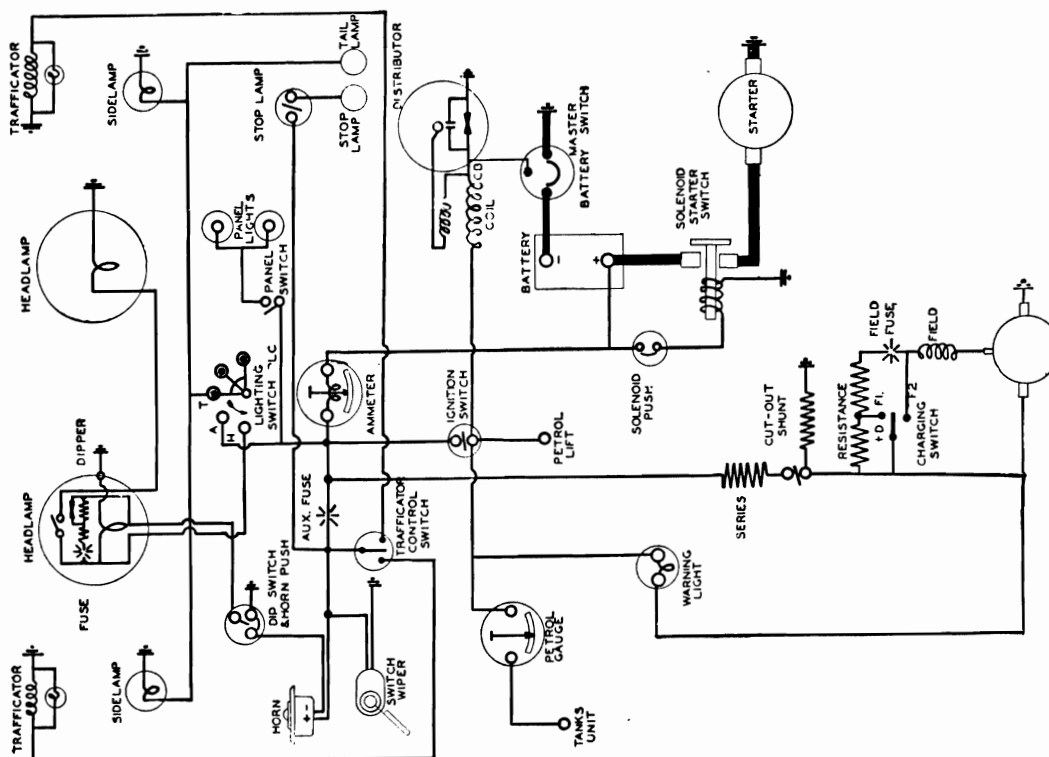
WIRING DIAGRAM

NOTE.—Shaded portions show where cables are braided together in a protective sheathing. Colour references indicate coloured sleeving on ends of leads.



| Data for Lucas Equipment | | Bulbs | |
|--------------------------|-----------|----------------------------------|--------------------|
| Dynamo | ... C43A | Headlamps | ... BAS No. 4S |
| Starter | ... M418A | Side, stop, tail and panel lamps | ... BAS No. 10S |
| Switch | ... PLC | Ignition warning lamp | ... No. 252 M.E.S. |
| Cut-out | ... CFR | Trafficators | ... No. T120F |
| Coil | ... Q12 | | |
| Distributor | ... D14A | | |

TECHNICAL DIAGRAM



Wiring of Trafficators
On some equipment the Trafficators are wired in series with the ignition switch through a separate fuse.

| Fuses | amp. |
|------------------------------------|----------|
| Dynamo field | ... 3.75 |
| Auxiliary accessories | ... 25 |
| Dipping reflector | ... 5 |
| Separate Trafficator (when fitted) | ... 25 |