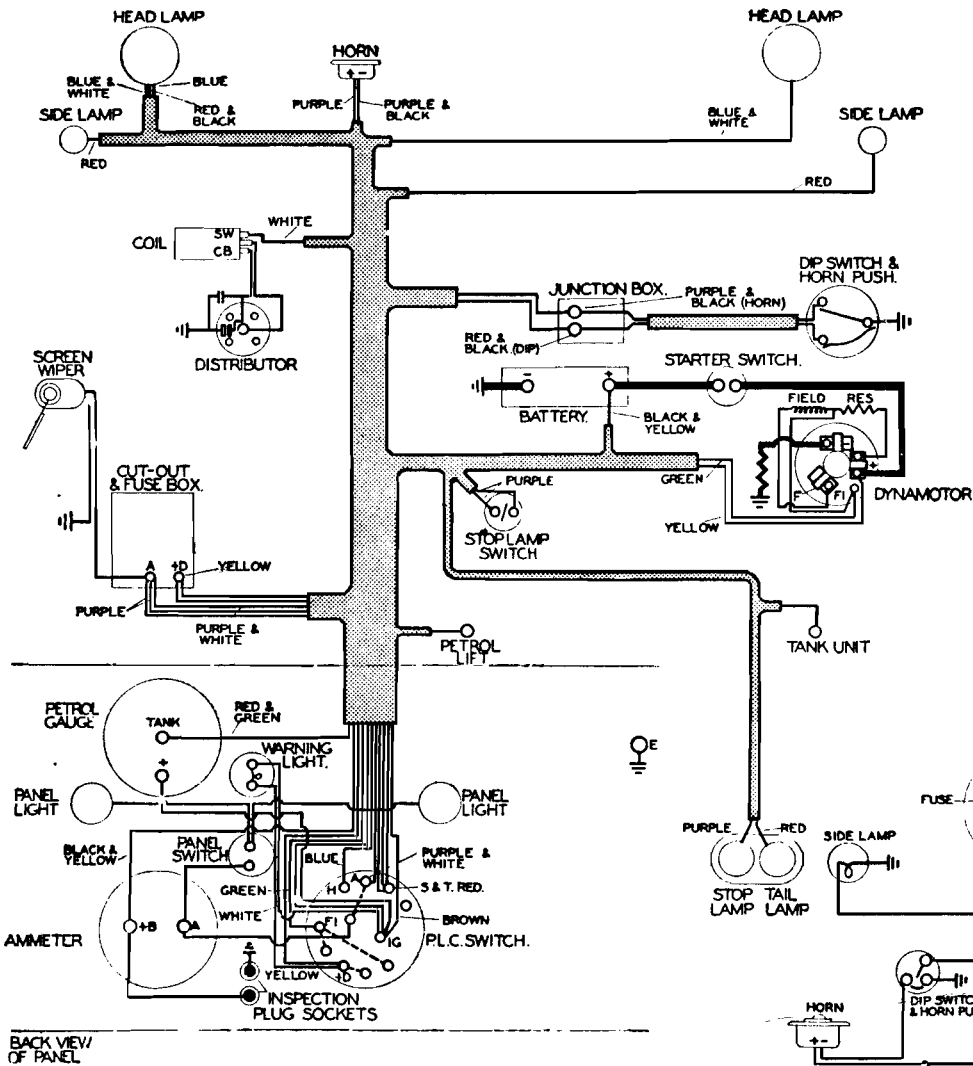


Date of issue: March, 1933

### Wiring Diagram



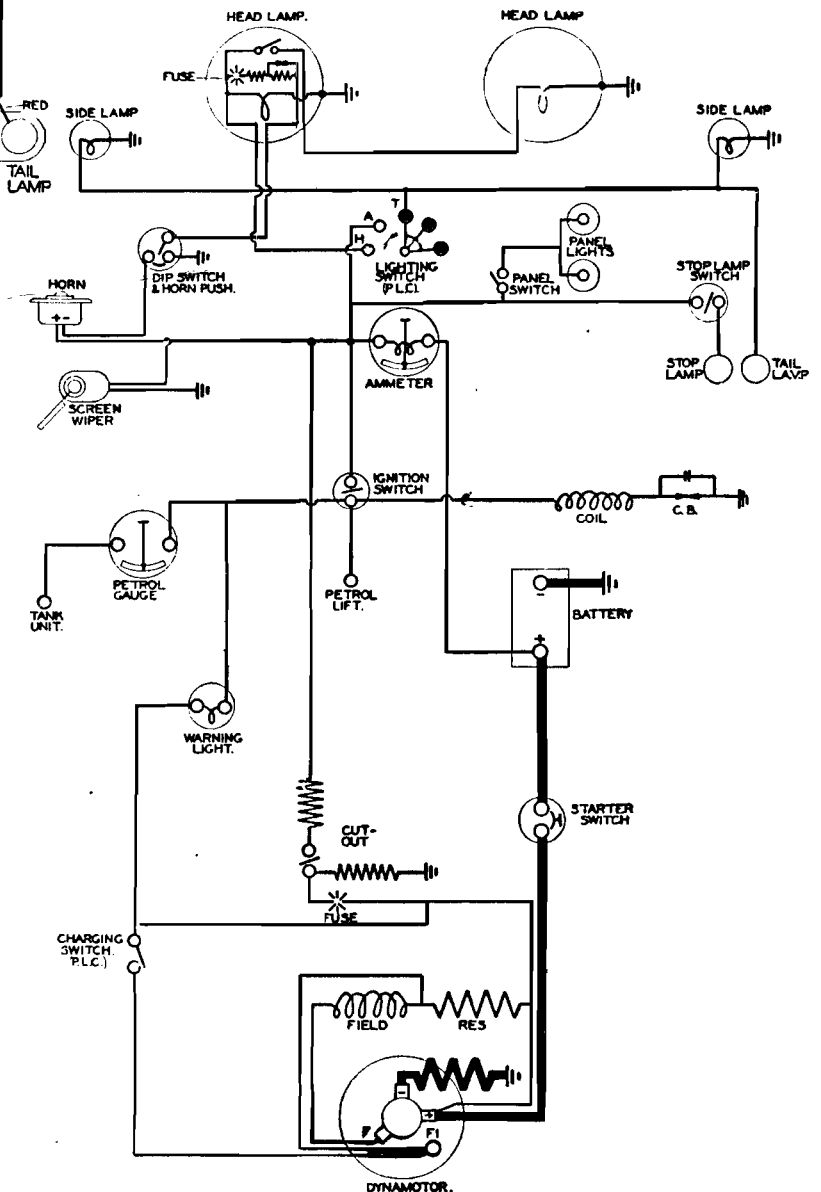
NOTE.—Shaded portions show where cables are braided together in a protective sheathing.

Colours indicate coloured sleeves on ends of leads.

A fuse is housed in the cut-out unit for the dynamotor charging circuit.

Indication that it has blown will be that the ammeter will show no charge reading when the car is running under normal day-time conditions. Spare fuse strips are fitted to one of the fuse posts.

### Technical Diagram



#### Data for Lucas Equipment

Dynamotor	...	...	...	A900R
Switch	...	...	...	PLC
Cut-out	...	...	...	CF1
Coil	...	...	...	Q12
Distributor	...	...	...	DJH4

#### Bulbs

Headlamp	...	...	...	B.A.S. No. 45
Side, stop, tail and panel lamps	...	...	...	B.A.S. No. 10S
Ignition warning lamp	...	...	...	No. 252 M.E.S.

#### Fuses

Dynamotor fuse in cut-out box (40 amp.) (strip type)	...	...	...	No. L1898/4
Dipping reflector fuse (5 amp.)	...	...	...	FA5

BACK VIEW OF PANEL